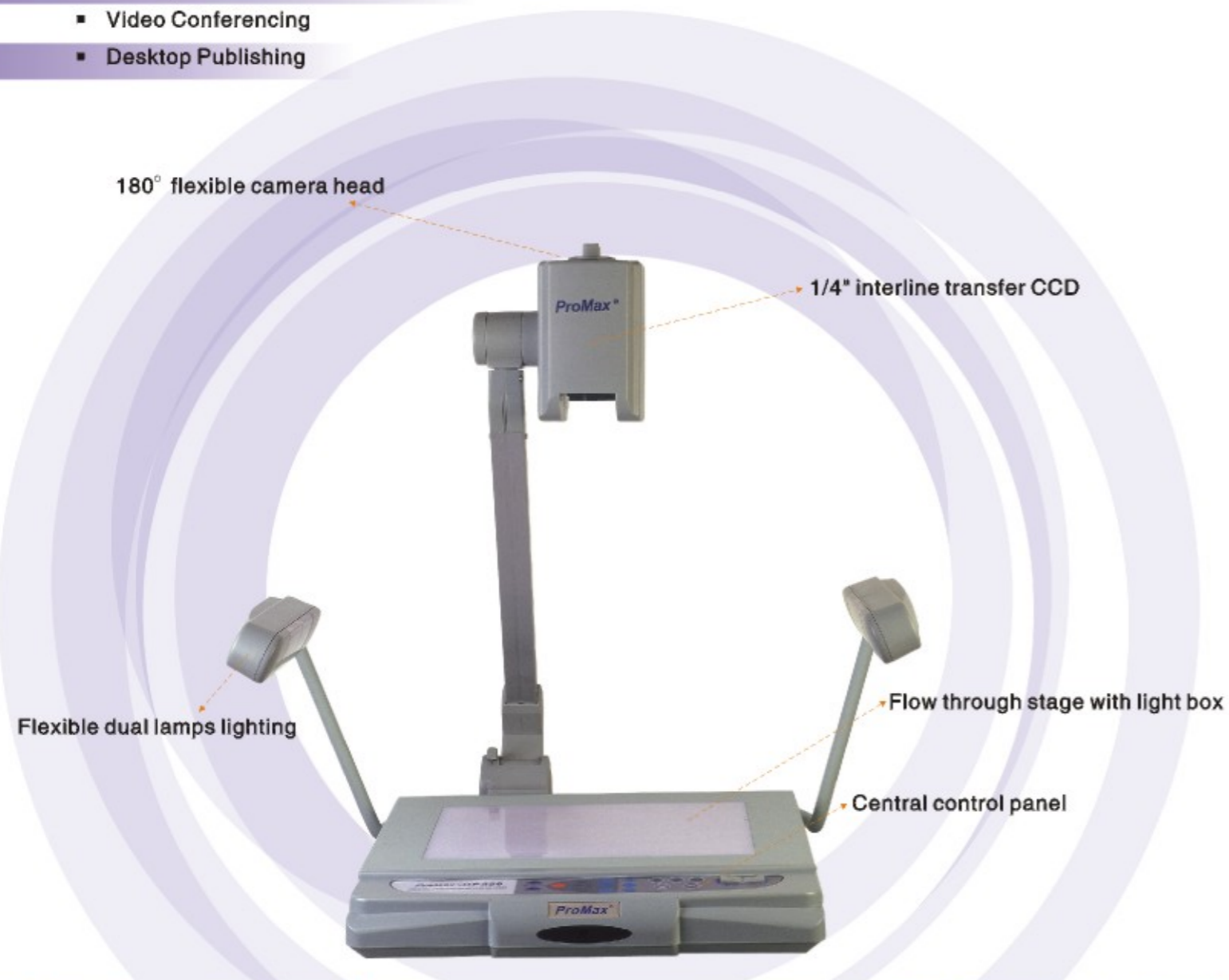


- Education Field: view educational materials, projects, and illustrations
- Scientific Research: display samples, paper, and transparencies
- Medical Industry: show x-rays, bones, and tissues
- Court Room: display evidence
- Corporate: view products, prototypes, and training materials
- Military Field
- Video Conferencing
- Desktop Publishing

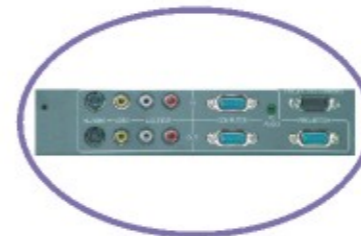


ProMax® DP 500/550: Digital Image Quality At Always Low Price



Outstanding Image

1/4" professional CCD provides true VGA 470 TV lines resolution with high speed auto focus and 220 x zoom. Built-in digital processing card and RGB output enhance viewing interest for sharp and detailed image.



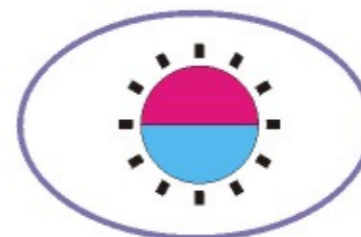
Unique Central Control System

From the front control panel one can control the projector power on/off and select different inputs such as computer, visualizer, and video for projector.



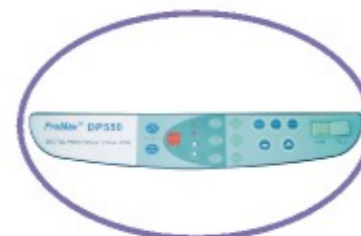
Versatile Presentation Capability

Large unobstructed viewing base can display various objects, printed materials, slides, film negatives, and X-rays.



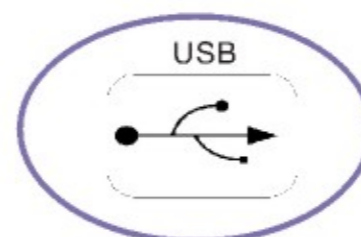
User Friendly Design

Dual lights provide even and soft illuminations. Flexible camera head allows flexibility of image capture and capability of viewing objects or people in surrounding room. Multiple connectors provides many input and output options for convenient use.



Multiple Controls and Functions

Negative/positive conversion, image save and freeze, color/black and white selection, and auto white balance control are all available at front panel and remote control for easy operations.



Digital Functions

USB interface allows image save, edit, recall for desirable digital effects and functions as high-speed scanner and digital camera.



ProMax[®]

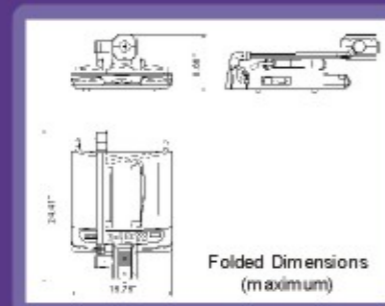
ProMax[®] DP 500/550 Specifications

MODEL	ProMax [®] DP500	ProMax [®] DP550
OPTICS		
Lens (mm)	F=1.6~3.7/f=3.9~85.8	
Powered Zoom	22x optical zoom, 10x electrical zoom	
Shooting Area(mm)	Platform: 350 x 255	
Focusing	Auto/Manual (powered)	
Iris	Auto/Manual (powered)	
Head Rotation	Horizontal 270°, Vertical ± 90°	
LIGHTING		
Upper Lamp	7W(9W) x 2	
Lower Lamp	Built-in light box	
PICTURE		
CCD Size	1/4" Professional CCD	
RGB Output Pixels	780,000	
RESOLUTION		
Resolution	More than 450 TV lines	
S/N Ratio	>50dB	
Central Control System	N/A	Yes
White Balance	Auto	
Negative/Positive Conversion	Selectable	
Image Freeze	Available	
Color/B&W Selection	Selectable	
INPUT TERMINAL		
Input Selection	Camera/AV	Camera/RGB/AV
RGB	N/A	DB15FLC 1
C-Video	RCA jack 1	
S-Video	4 pin mini DIN 1	
MIC Input	Mini jack 1	
Audio (stereo)	RCA jack 1	
RS232	9 Pin D-sub, male	
OUTPUT TERMINAL		
USB	Yes (15 frames/sec)	
RGB	DB15FLC 1	DB15FLC 2
C-Video	RCA jack 1	
S-Video	4 pin mini DIN 1	
RS232 (for projector)	N/A	9 pin D-sub, male
Audio (stereo)	RCA jack 1	RCA jack 1, PC Audio 1
OTHER		
Remote Control	Provided	
Power	AC 100V - 120V, 50/60Hz	
Power Consumption	<35W	
Dimension(W x D x H)	27.6" x 21.3" x 24.4" (Setup) 15.8" x 24.4" x 8.7" (Folded) 27.2" x 21.3" x 23.4" (Packing)	
Weight	N.W:16.5 lbs G.W: 25.4 lbs	

* Design and specifications are subject to change without notice.

PROMAX TECHNOLOGY, LLC

20700 Civic Center Drive, Suite 170
 Southfield, MI 48076 USA
 Phone: (248) 663-2345
 Fax: (248) 751-6600
 Customer Support: (248) 910-4135
 Email: info@promax-tech.com
 Web: www.promax-tech.com



ProMax[®] DP 500/550 Digital Processing Visualizer

- Built-in central control system and digital image effects
- 1/4" professional CCD with 22 x optical zoom
- Built-in digital processing card and RGB input/output
- USB port for image save/recall/edit
- Wireless remote control and RS-232 interface
- Two-year manufacturer warranty

